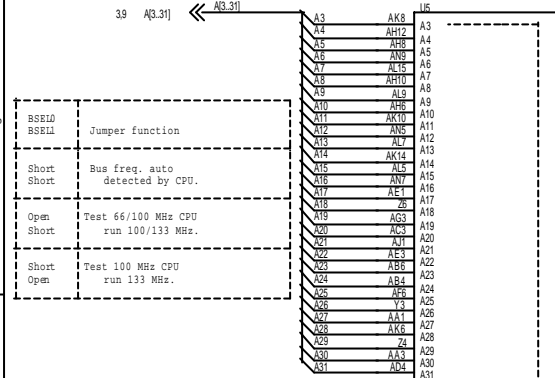


J-695AS

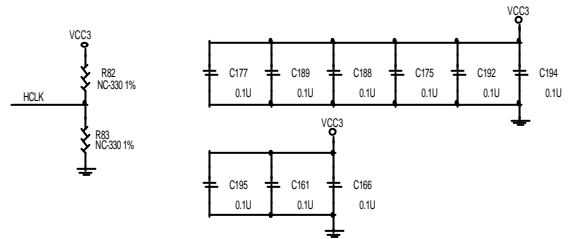
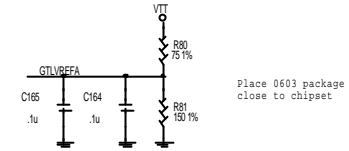
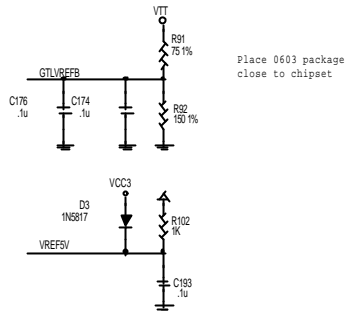
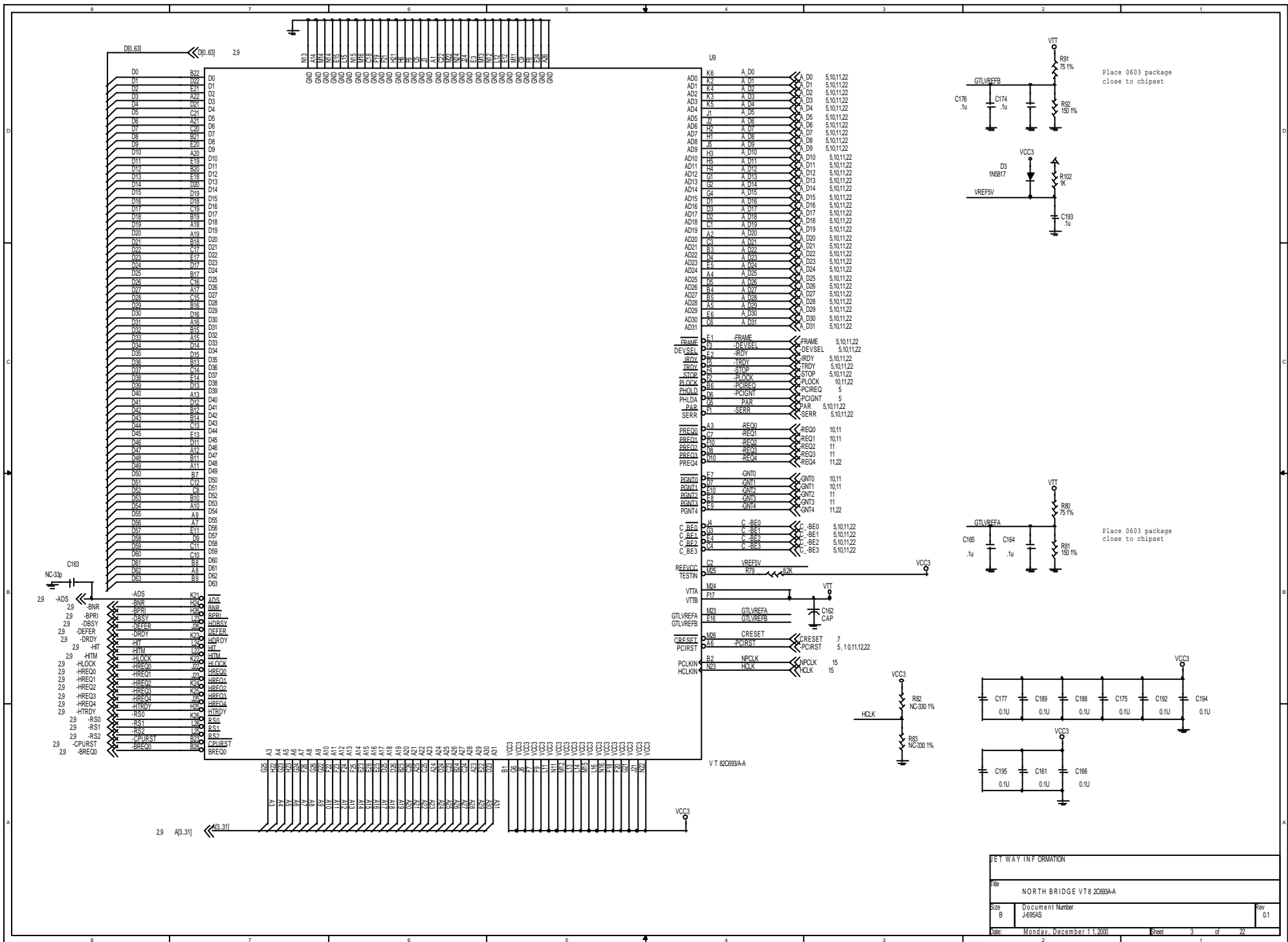
SOCKET 370 PROCESSOR	2
NORTH BRIDGE (VT82C693A)	3,4
SOUTH BRIDGE (VT82C686A)	5,6
USB2,3 & FREQUENCY RATIO	7
DIMM 1 & 2	8
ATX POWER CONNECT / VTT TERMINATOR / VCC3	9
PCI SLOT 1 & 2	10
PCI SLOT 3 & 4	11
AGP SLOT	12
ISA SLOT	13
IDE & FRONT PANNEL & BIOS & K.B CONNECTOR	14
CLOCK SYNTHESIZER	15
FAN & BYPASS CAPACITOR	16
DC-DC CONVERTER	17
PRINTER / COM PORT	18
AUDIO CODEC & AUDIO PORT & JOYSTICK PORT	19
AMR SLOT	20
DIMM3	21
PCI SLOTS	22

GET WAY INFORMATION		
000 COVER SHEET		
Size B	Document Number J-695AS	Rev 0.1
Date: Monday, December 11, 2000	Sheet	1 of 22

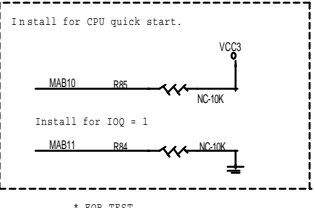
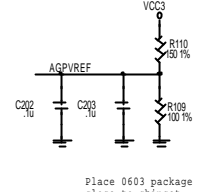
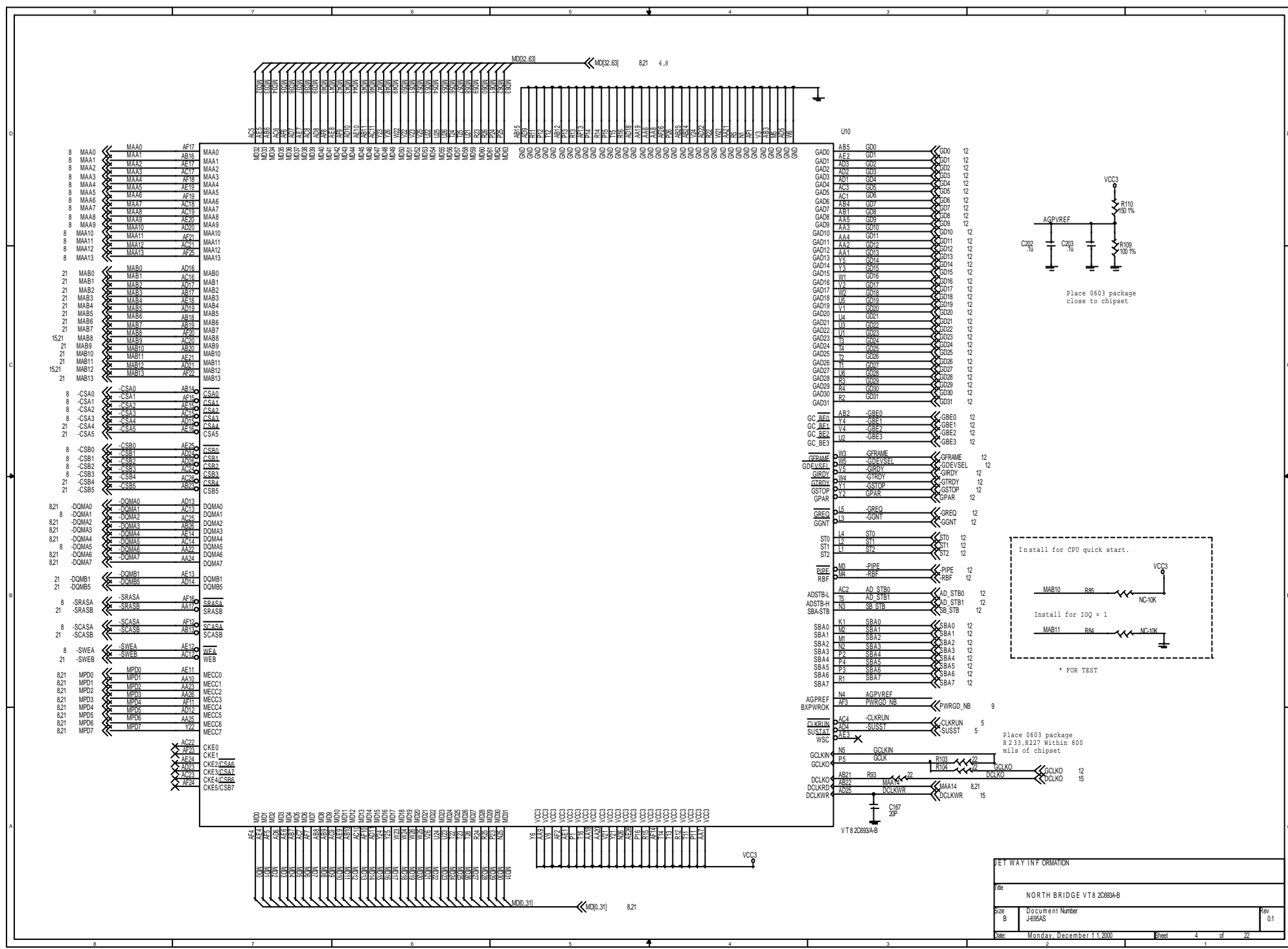
SOCKET 370



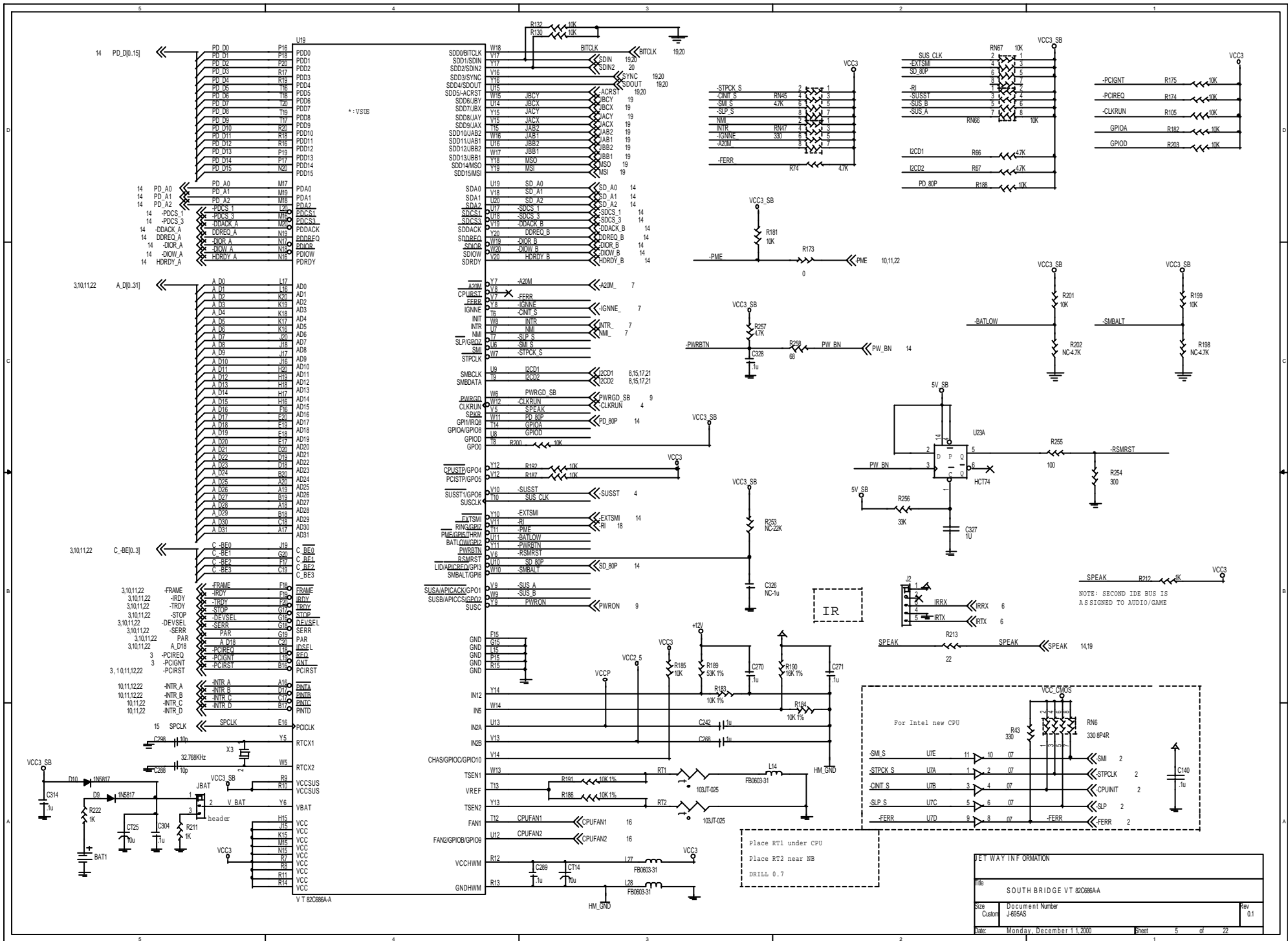
Pin	Signal	Pin	Signal	Pin	Signal	Pin	Signal
A32	GND	A37	D34	A45	F2	A53	VCC_1.5V
A33	GND	A38	E7	AA37	F4	A61	VCC_2.5V
A34	GND	A39	AC5	E11	F14	A69	VCC_CMOS
A35	GND	A40	AC33	E15	FA2	A77	
A36	GND	A41	AD2	E19	FA6	A85	
A37	GND	A42	AD34	F20	FA5	A93	
A38	GND	A43	AF32	F24	FA2	A101	
A39	GND	A44	AF36	F28	FA34	A109	
A40	GND	A45	AG5	F32	HA24	A117	
A41	GND	A46	AH2	F36	HA22	A125	
A42	GND	A47	AH34	F38	HA26	A133	
A43	GND	A48	AI26	F42	HA28	A141	
A44	GND	A49	AJ3	F46	HA30	A149	
A45	GND	A50	AJ5	F50	HA32	A157	
A46	GND	A51	AJ9	F54	HA34	A165	
A47	GND	A52	AJ13	F58	HA36	A173	
A48	GND	A53	AJ15	F62	HA38	A181	
A49	GND	A54	AJ19	F66	HA40	A189	
A50	GND	A55	AJ22	F70	HA42	A197	
A51	GND	A56	AJ25	F74	HA44	A205	
A52	GND	A57	AJ29	F78	HA46	A213	
A53	GND	A58	AJ32	F82	HA48	A221	
A54	GND	A59	AJ34	F86	HA50	A229	
A55	GND	A60	AJ34	F90	HA52	A237	
A56	GND	A61	AJ34	F94	HA54	A245	
A57	GND	A62	AJ34	F98	HA56	A253	
A58	GND	A63	AJ34	F102	HA58	A261	
A59	GND	A64	AJ34	F106	HA60	A269	
A60	GND	A65	AJ34	F110	HA62	A277	
A61	GND	A66	AJ34	F114	HA64	A285	
A62	GND	A67	AJ34	F118	HA66	A293	
A63	GND	A68	AJ34	F122	HA68	A301	
A64	GND	A69	AJ34	F126	HA70	A309	
A65	GND	A70	AJ34	F130	HA72	A317	
A66	GND	A71	AJ34	F134	HA74	A325	
A67	GND	A72	AJ34	F138	HA76	A333	
A68	GND	A73	AJ34	F142	HA78	A341	
A69	GND	A74	AJ34	F146	HA80	A349	
A70	GND	A75	AJ34	F150	HA82	A357	
A71	GND	A76	AJ34	F154	HA84	A365	
A72	GND	A77	AJ34	F158	HA86	A373	
A73	GND	A78	AJ34	F162	HA88	A381	
A74	GND	A79	AJ34	F166	HA90	A389	
A75	GND	A80	AJ34	F170	HA92	A397	
A76	GND	A81	AJ34	F174	HA94	A405	
A77	GND	A82	AJ34	F178	HA96	A413	
A78	GND	A83	AJ34	F182	HA98	A421	
A79	GND	A84	AJ34	F186	HA100	A429	
A80	GND	A85	AJ34	F190	HA102	A437	
A81	GND	A86	AJ34	F194	HA104	A445	
A82	GND	A87	AJ34	F198	HA106	A453	
A83	GND	A88	AJ34	F202	HA108	A461	
A84	GND	A89	AJ34	F206	HA110	A469	
A85	GND	A90	AJ34	F210	HA112	A477	
A86	GND	A91	AJ34	F214	HA114	A485	
A87	GND	A92	AJ34	F218	HA116	A493	
A88	GND	A93	AJ34	F222	HA118	A501	
A89	GND	A94	AJ34	F226	HA120	A509	
A90	GND	A95	AJ34	F230	HA122	A517	
A91	GND	A96	AJ34	F234	HA124	A525	
A92	GND	A97	AJ34	F238	HA126	A533	
A93	GND	A98	AJ34	F242	HA128	A541	
A94	GND	A99	AJ34	F246	HA130	A549	
A95	GND	A100	AJ34	F250	HA132	A557	
A96	GND	A101	AJ34	F254	HA134	A565	
A97	GND	A102	AJ34	F258	HA136	A573	
A98	GND	A103	AJ34	F262	HA138	A581	
A99	GND	A104	AJ34	F266	HA140	A589	
A100	GND	A105	AJ34	F270	HA142	A597	
A101	GND	A106	AJ34	F274	HA144	A605	
A102	GND	A107	AJ34	F278	HA146	A613	
A103	GND	A108	AJ34	F282	HA148	A621	
A104	GND	A109	AJ34	F286	HA150	A629	
A105	GND	A110	AJ34	F290	HA152	A637	
A106	GND	A111	AJ34	F294	HA154	A645	
A107	GND	A112	AJ34	F298	HA156	A653	
A108	GND	A113	AJ34	F302	HA158	A661	
A109	GND	A114	AJ34	F306	HA160	A669	
A110	GND	A115	AJ34	F310	HA162	A677	
A111	GND	A116	AJ34	F314	HA164	A685	
A112	GND	A117	AJ34	F318	HA166	A693	
A113	GND	A118	AJ34	F322	HA168	A701	
A114	GND	A119	AJ34	F326	HA170	A709	
A115	GND	A120	AJ34	F330	HA172	A717	
A116	GND	A121	AJ34	F334	HA174	A725	
A117	GND	A122	AJ34	F338	HA176	A733	
A118	GND	A123	AJ34	F342	HA178	A741	
A119	GND	A124	AJ34	F346	HA180	A749	
A120	GND	A125	AJ34	F350	HA182	A757	
A121	GND	A126	AJ34	F354	HA184	A765	
A122	GND	A127	AJ34	F358	HA186	A773	
A123	GND	A128	AJ34	F362	HA188	A781	
A124	GND	A129	AJ34	F366	HA190	A789	
A125	GND	A130	AJ34	F370	HA192	A797	
A126	GND	A131	AJ34	F374	HA194	A805	
A127	GND	A132	AJ34	F378	HA196	A813	
A128	GND	A133	AJ34	F382	HA198	A821	
A129	GND	A134	AJ34	F386	HA200	A829	
A130	GND	A135	AJ34	F390	HA202	A837	
A131	GND	A136	AJ34	F394	HA204	A845	
A132	GND	A137	AJ34	F398	HA206	A853	
A133	GND	A138	AJ34	F402	HA208	A861	
A134	GND	A139	AJ34	F406	HA210	A869	
A135	GND	A140	AJ34	F410	HA212	A877	
A136	GND	A141	AJ34	F414	HA214	A885	
A137	GND	A142	AJ34	F418	HA216	A893	
A138	GND	A143	AJ34	F422	HA218	A901	
A139	GND	A144	AJ34	F426	HA220	A909	
A140	GND	A145	AJ34	F430	HA222	A917	
A141	GND	A146	AJ34	F434	HA224	A925	
A142	GND	A147	AJ34	F438	HA226	A933	
A143	GND	A148	AJ34	F442	HA228	A941	
A144	GND	A149	AJ34	F446	HA230	A949	
A145	GND	A150	AJ34	F450	HA232	A957	
A146	GND	A151	AJ34	F454	HA234	A965	
A147	GND	A152	AJ34	F458	HA236	A973	
A148	GND	A153	AJ34	F462	HA238	A981	
A149	GND	A154	AJ34	F466	HA240	A989	
A150	GND	A155	AJ34	F470	HA242	A997	
A151	GND	A156	AJ34	F474	HA244	A1005	
A152	GND	A157	AJ34	F478	HA246	A1013	
A153	GND	A158	AJ34	F482	HA248	A1021	
A154	GND	A159	AJ34	F486	HA250	A1029	
A155	GND	A160	AJ34	F490	HA252	A1037	
A156	GND	A161	AJ34	F494	HA254	A1045	
A157	GND	A162	AJ34	F498	HA256	A1053	
A158	GND	A163	AJ34	F502	HA258	A1061	
A159	GND	A164	AJ34	F506	HA260	A1069	
A160	GND	A165	AJ34	F510	HA262	A1077	
A161	GND	A166	AJ34	F514	HA264	A1085	
A162	GND	A167	AJ34	F518	HA266	A1093	
A163	GND	A168	AJ34	F522	HA268	A1101	
A164	GND	A169	AJ34	F526	HA270	A1109	
A165	GND	A170	AJ34	F530	HA272	A1117	
A166	GND	A171	AJ34	F534	HA274	A1125	
A167	GND	A172	AJ34	F538	HA276	A1133	
A168	GND	A173	AJ34	F542	HA278	A1141	
A169	GND	A174	AJ34	F546	HA280	A1149	
A170	GND	A175	AJ34	F550	HA282	A1157	
A171	GND	A176	AJ34	F554	HA284	A1165	
A172	GND	A177	AJ34	F558	HA286	A1173	
A173	GND	A178	AJ34	F562	HA288	A1181	
A174	GND	A179	AJ34	F566	HA290	A1189	
A175	GND	A180	AJ34	F570	HA292	A1197	
A176	GND	A181	AJ34	F574	HA294	A1205	
A177	GND	A182	AJ34	F578	HA296	A1213	
A178	GND	A183	AJ34	F582	HA298	A1221	
A179	GND	A184	AJ34	F586	HA300	A1229	
A180	GND	A185	AJ34	F590	HA302	A1237	
A181	GND	A186	AJ34	F594	HA304	A1245	
A182	GND	A187	AJ34	F598	HA306	A1253	
A183	GND	A188	AJ34	F602	HA308	A1261	
A184	GND	A189	AJ34	F606	HA310	A1269	
A185	GND	A190	AJ34	F610	HA312	A1277	
A186	GND	A191	AJ34	F614	HA314	A1285	
A187	GND	A192	AJ34	F618	HA316	A1293	
A188	GND	A193	AJ34	F622	HA318	A1301	
A189	GND	A194	AJ34	F626	HA320	A1309	
A190	GND	A195	AJ34	F630	HA322	A1317	
A191	GND	A196	AJ34	F634	HA324	A1325	
A192	GND	A197	AJ34	F638	HA326	A1333	
A193	GND	A198	AJ34	F642	HA328	A1341	
A194	GND	A199	AJ34	F646	HA330	A1349	
A195	GND	A200	AJ34	F650	HA332	A1357	
A196	GND	A201	AJ34	F654	HA334	A1365	
A197	GND	A202	AJ34	F658	HA336	A1373	
A198	GND	A203	AJ34	F662	HA338	A1381	
A199	GND	A204	AJ34	F666	HA340	A1389	
A200	GND	A205	AJ34	F670	HA342	A1397	
A201	GND	A206	AJ34	F674	HA344	A1405	
A202	GND	A207	AJ34	F678	HA346	A1413	
A203	GND	A208	AJ34	F682	HA348	A1421	
A204	GND	A209	AJ34	F686	HA350	A1429	
A205	GND	A210	AJ34	F690	HA352	A1437	
A206	GND	A211	AJ34	F694	HA354	A1445	
A207	GND	A212	AJ34	F698	HA356	A1453	
A208	GND	A213	AJ34	F702	HA358	A1461	
A209	GND	A214	AJ34	F706	HA360	A1469	
A210	GND	A215	AJ34	F710	HA362	A1477	
A211	GND	A216	AJ34	F714	HA364	A1485	
A212	GND	A217	AJ34	F718	HA366	A1493	
A213	GND	A218	AJ34	F722	HA368	A1501	
A214	GND	A219	AJ34	F726	HA370	A1509	
A215	GND	A220	AJ34	F730	HA372	A1517	
A216	GND	A221	AJ34	F734	HA374	A1525	
A217							

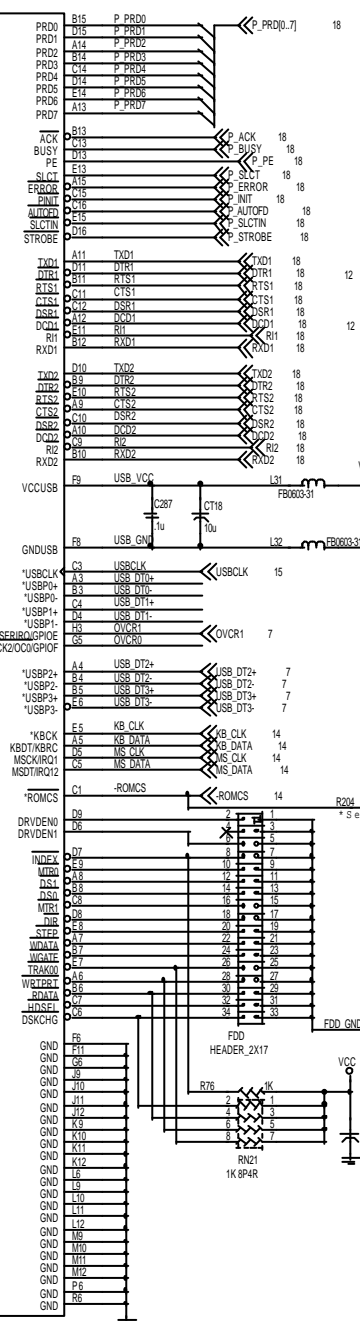
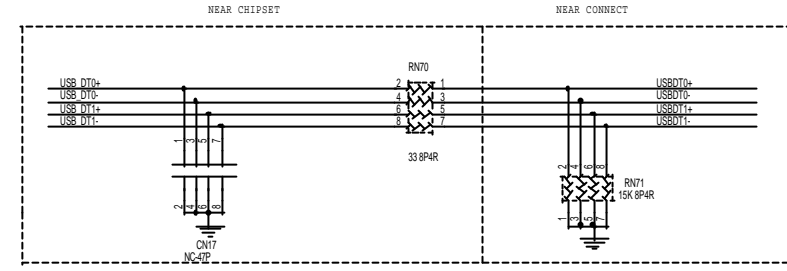
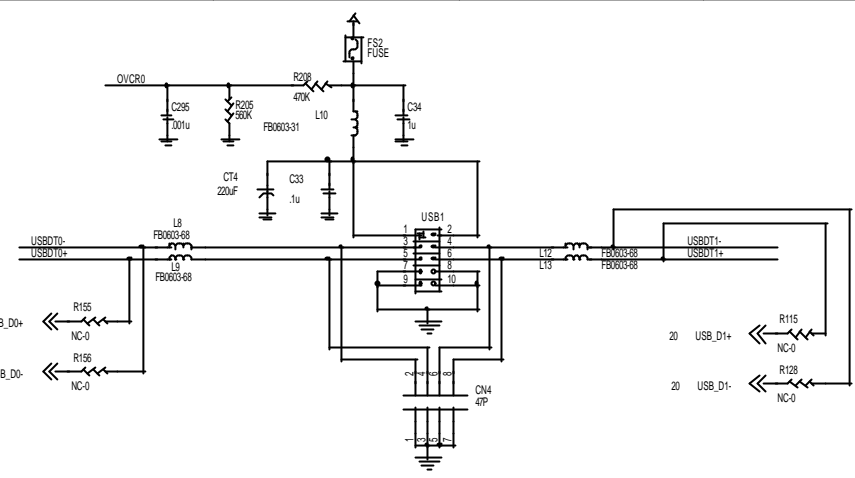
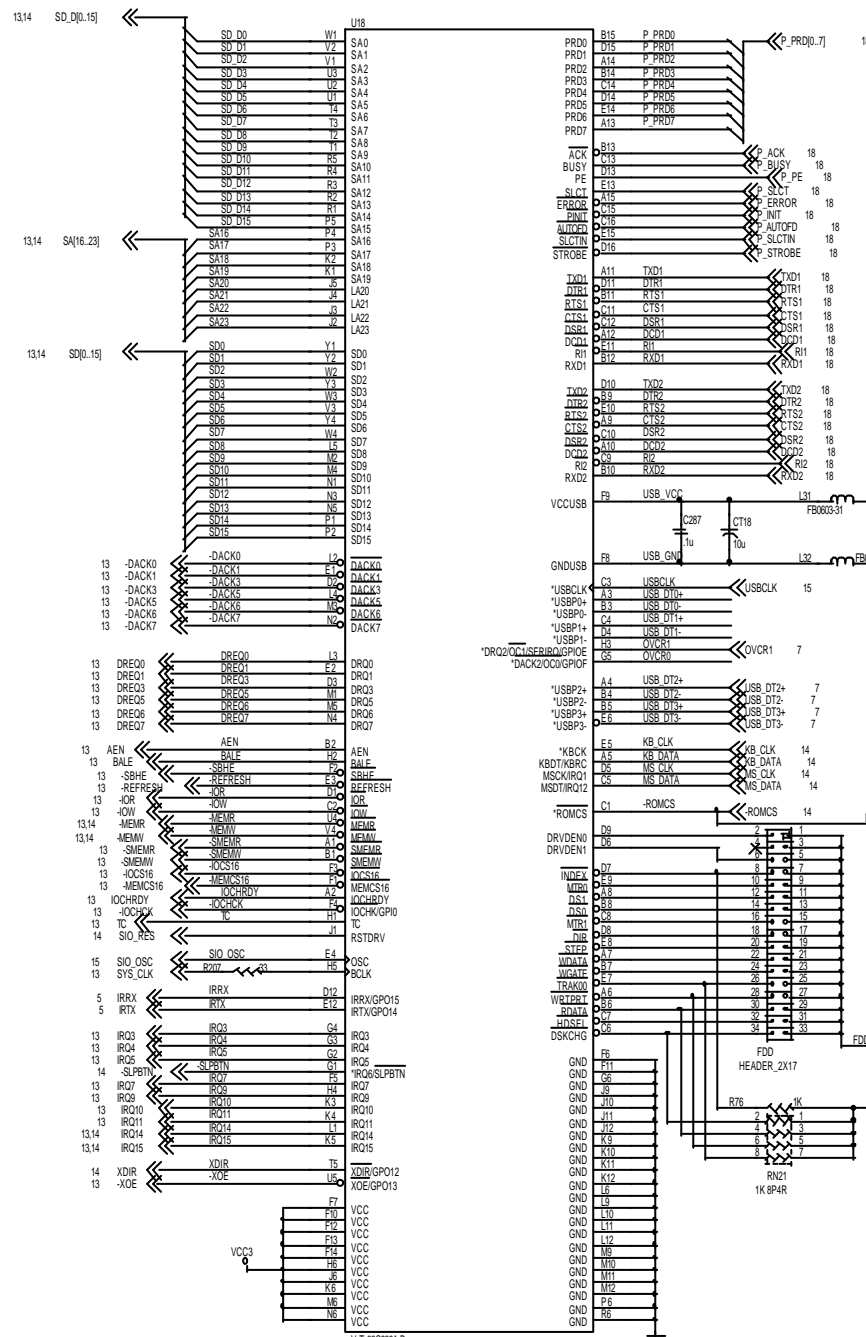


GET WAY INFORMATION		
06	NORTH BRIDGE VT8 2C893A-A	
Size B	Document Number J-695AS	Rev 0.1
Date: Monday, December 11, 2000	Sheet 3	of 22

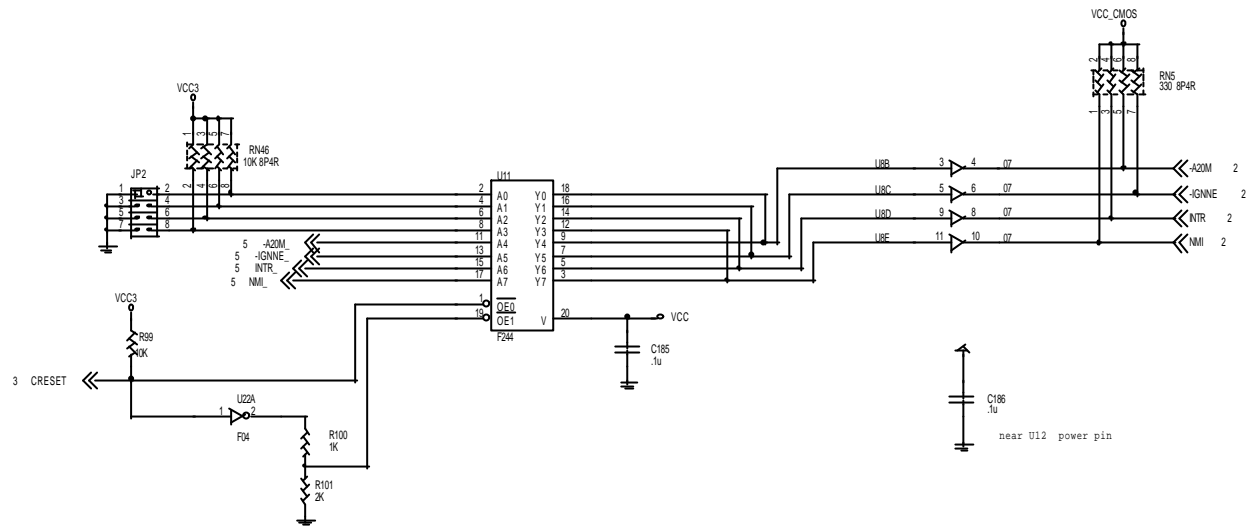


NET WAY INFORMATION		
File	NORTH BRIDGE VT8 2C893A-B	
Size	Document Number	Rev
B	J465AS	0.1
Date:	Monday, December 11, 2000	Sheet 4 of 22

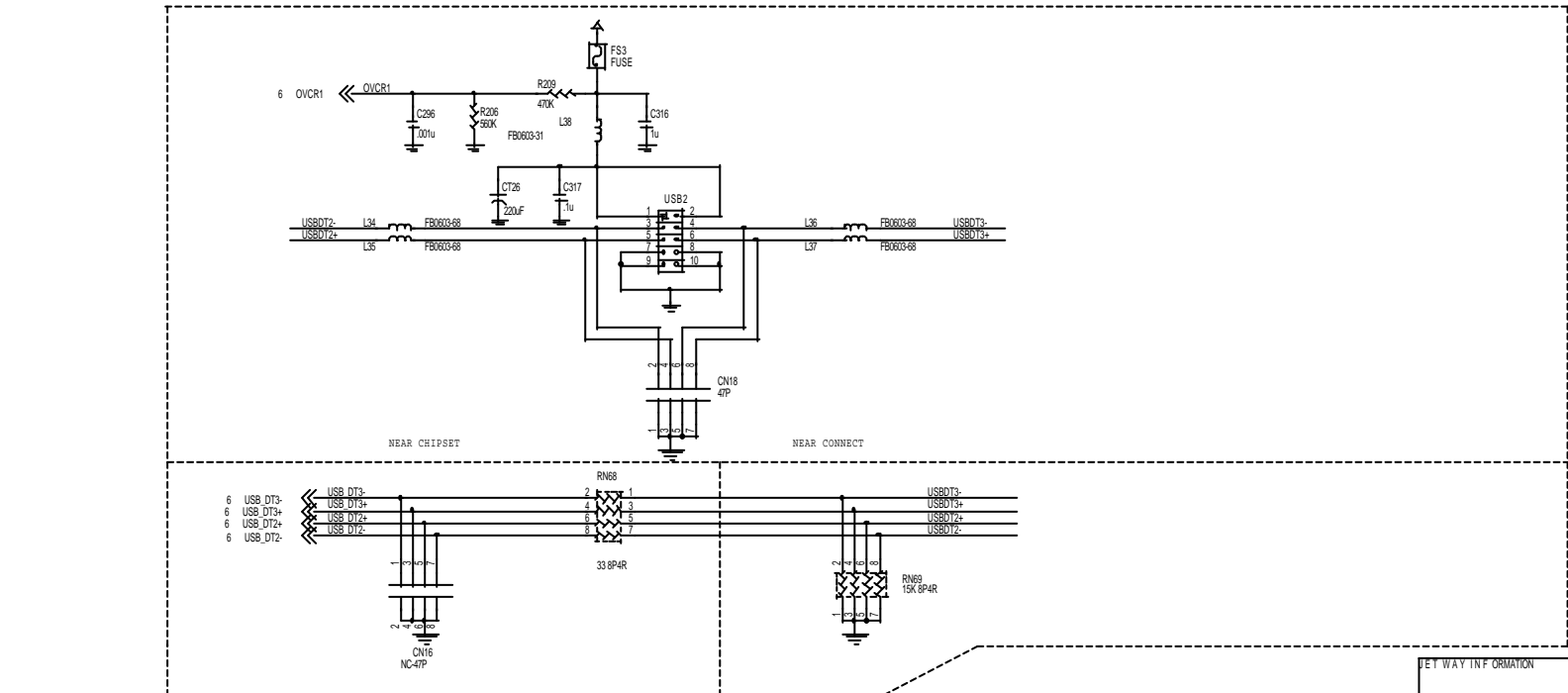




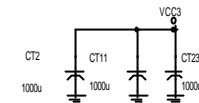
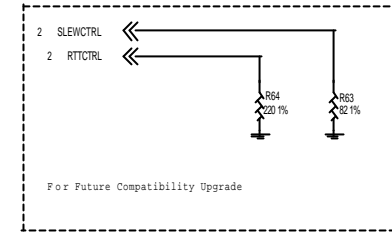
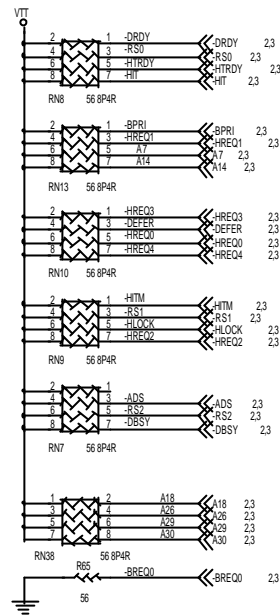
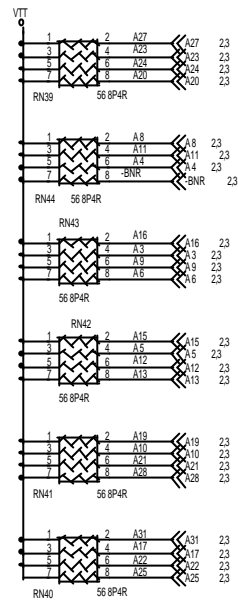
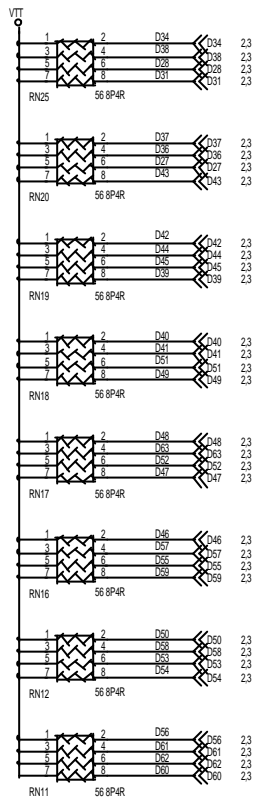
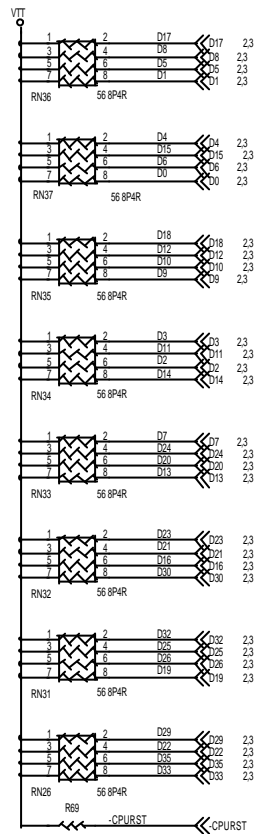
NET WAY INFORMATION		
06	SOUTH BRIDGE VT8 2C886A-B	
Size B	Document Number J-695AS	Rev 0.1
Date: Monday, December 11, 2000	Sheet 6	of 22



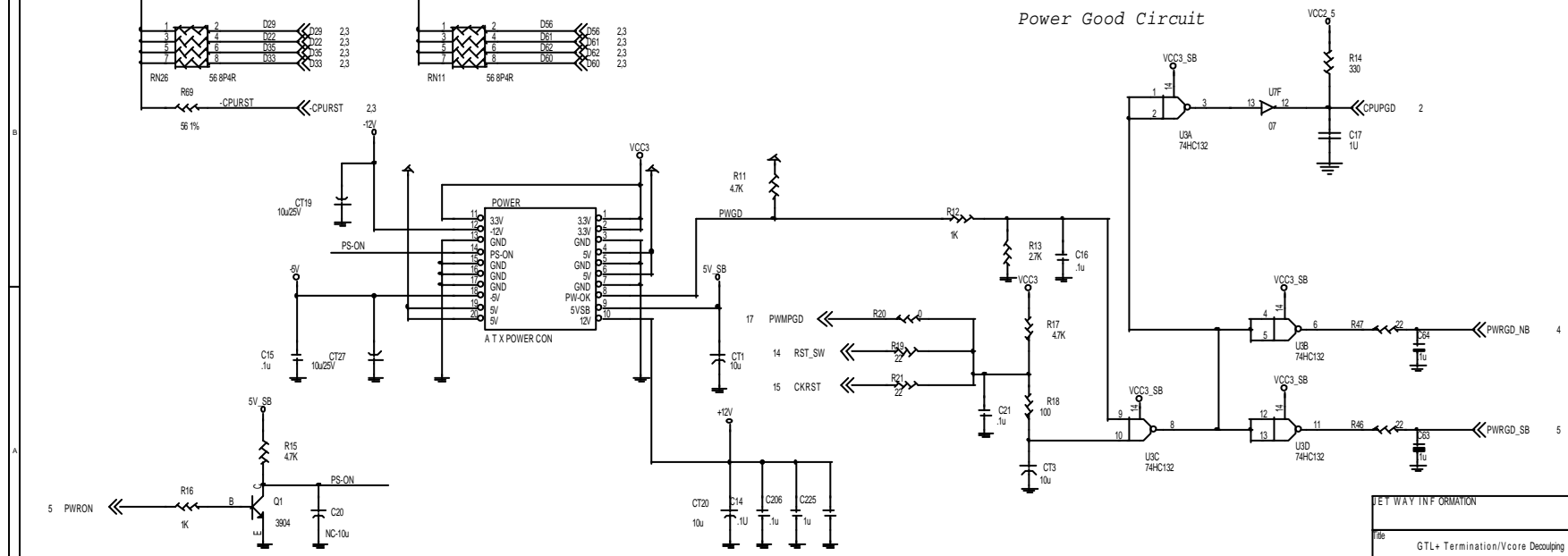
Freq/Ratio	1	2	3	4
3	ON	OFF	ON	ON
3.5	ON	OFF	OFF	ON
4	OFF	ON	ON	ON
4.5	OFF	ON	OFF	ON
5	OFF	OFF	ON	ON
5.5	OFF	OFF	OFF	ON
6	ON	ON	ON	OFF
6.5	ON	ON	OFF	OFF
7	ON	OFF	ON	OFF
7.5	ON	OFF	OFF	OFF
8	OFF	ON	ON	OFF



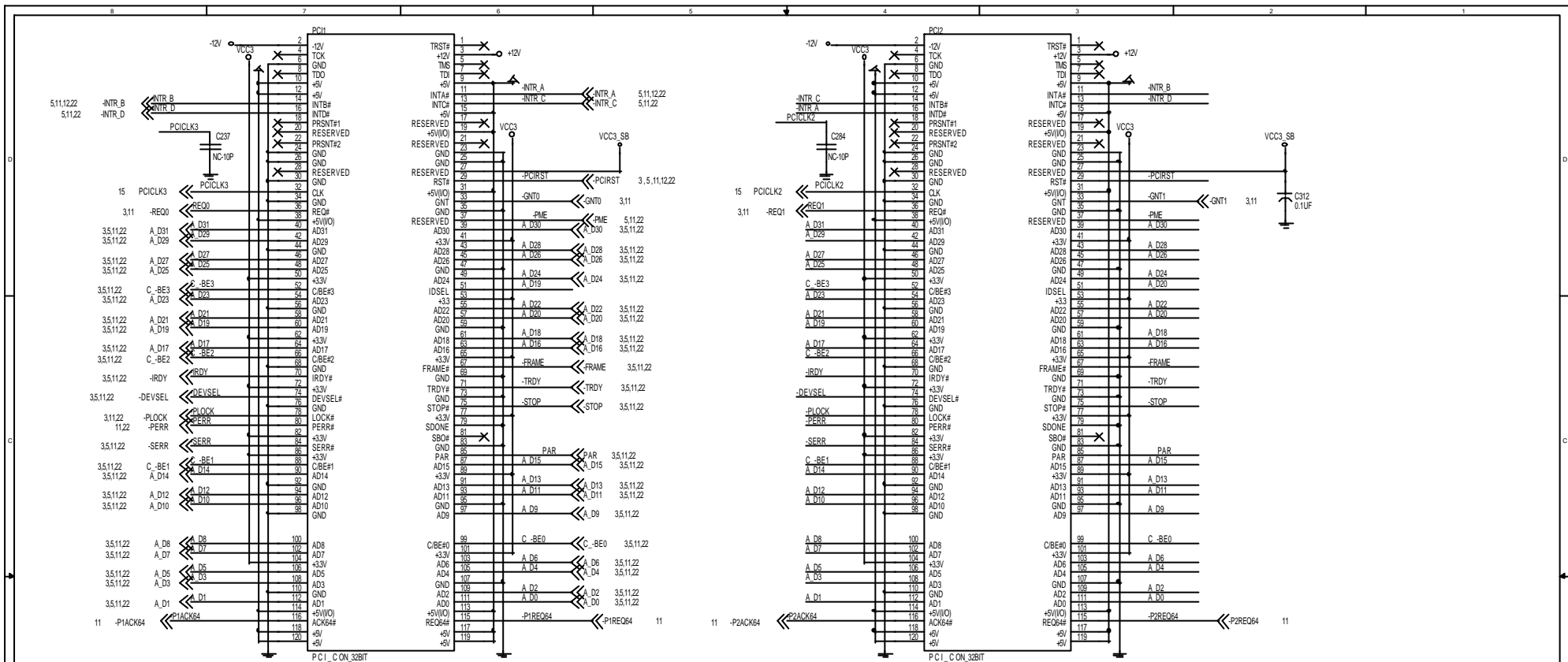
GET WAY INFORMATION		
Doc	USB/FREQ. RATIO	
Size	Document Number	Rev
B	J-695AS	0.1
Date:	Monday, December 11, 2000	Sheet 7 of 22



Power Good Circuit



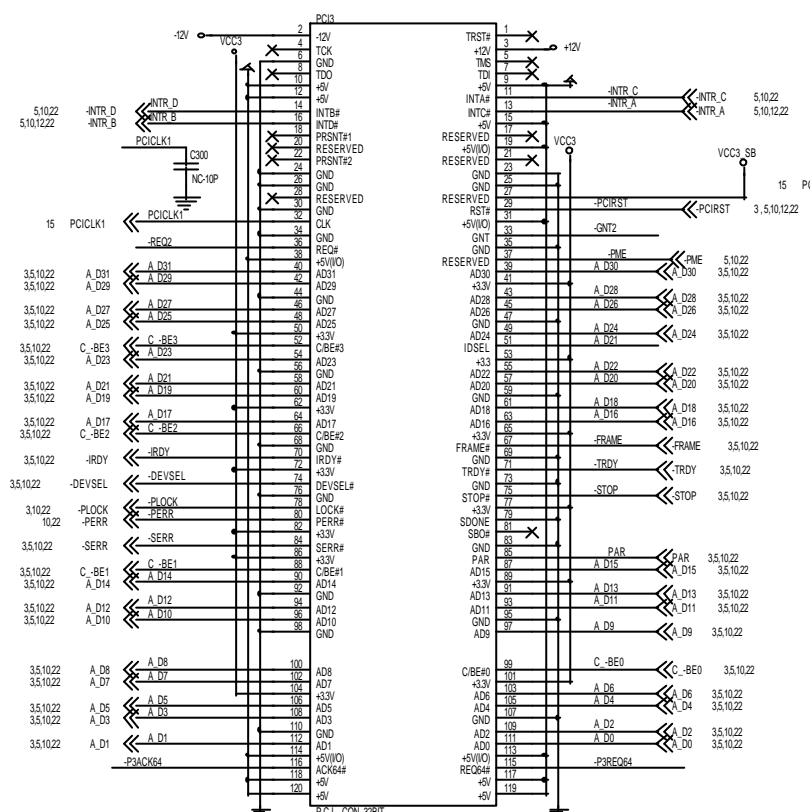
GET WAY INFORMATION		
06	GTL+ Termination/Vcore Decoupling	
Size B	Document Number J-695AS	Rev 0.1
Date: Monday, December 11, 2000	Sheet 9	of 22



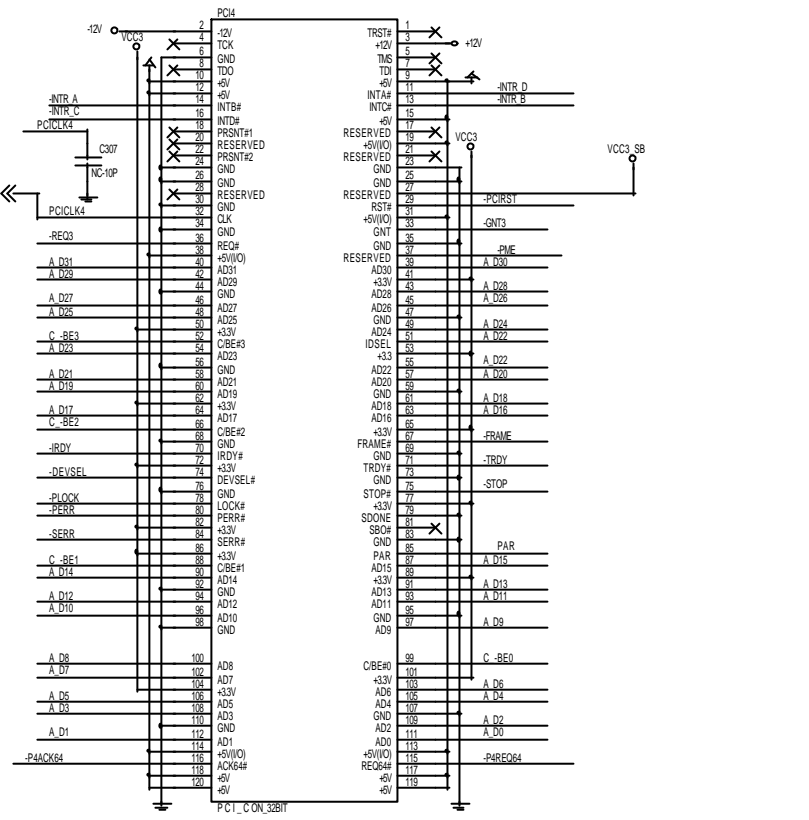
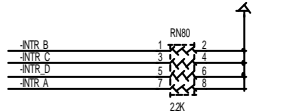
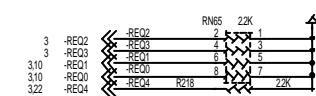
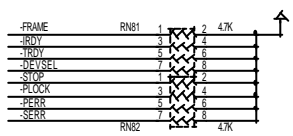
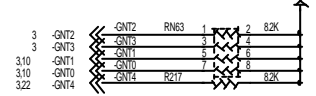
AD: 19
A, B, C, D

AD: 20
B, C, D, A

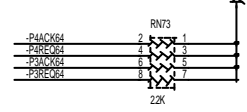
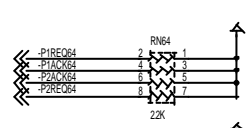
GET WAY INFORMATION		
06	PCI SLOT	
Size B	Document Number J-695AS	Rev 0.1
Date: Monday, December 11, 2000	Sheet 10	of 22



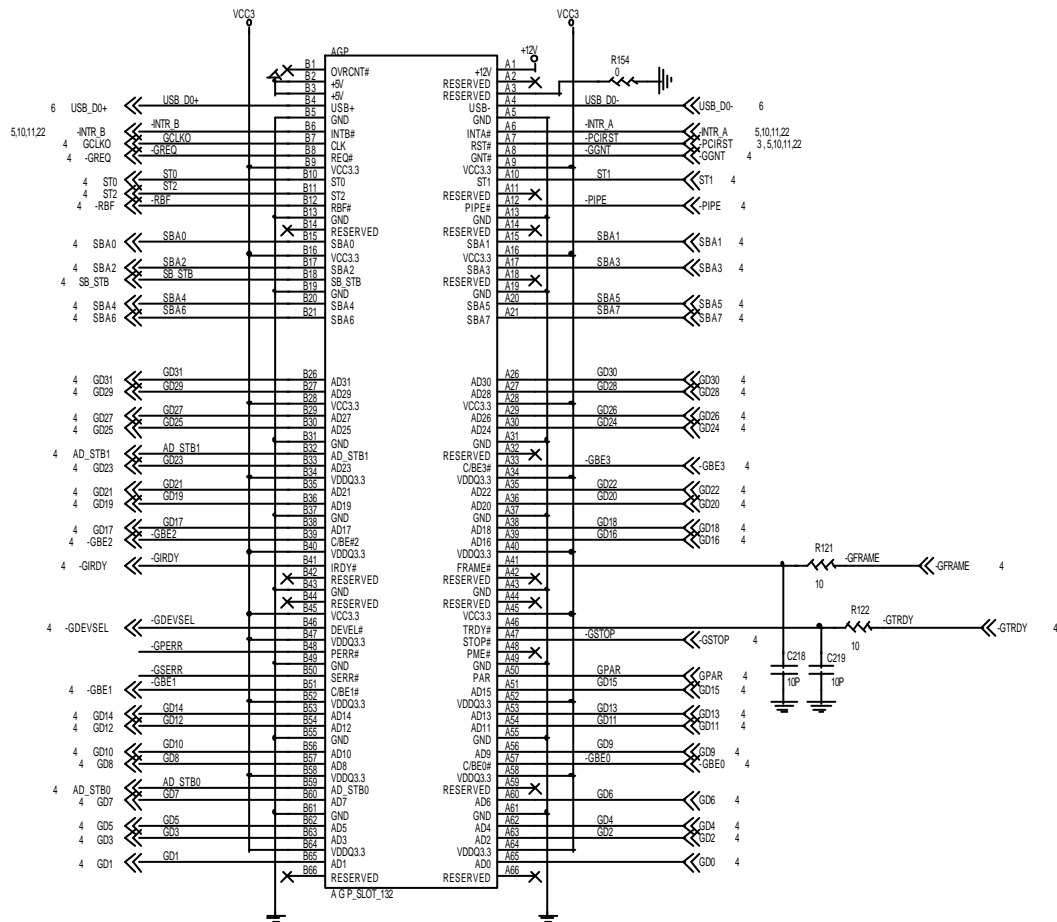
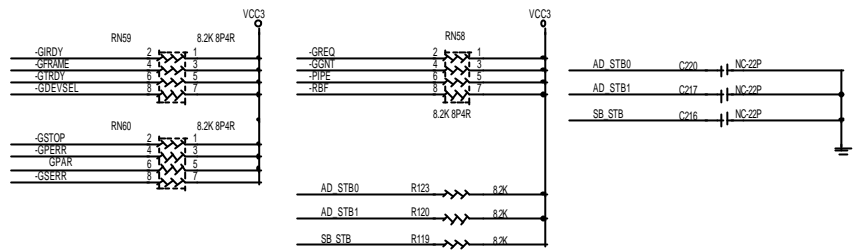
AD : 21
C, D, A, B



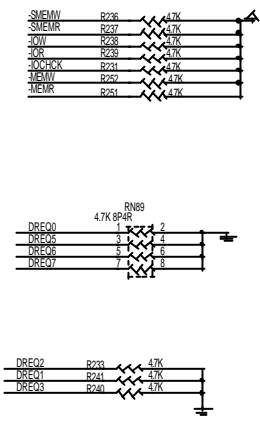
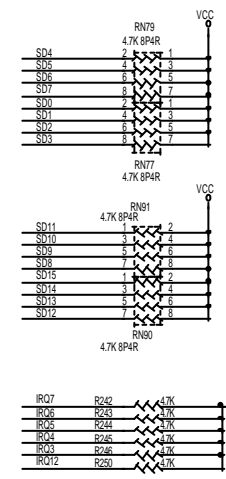
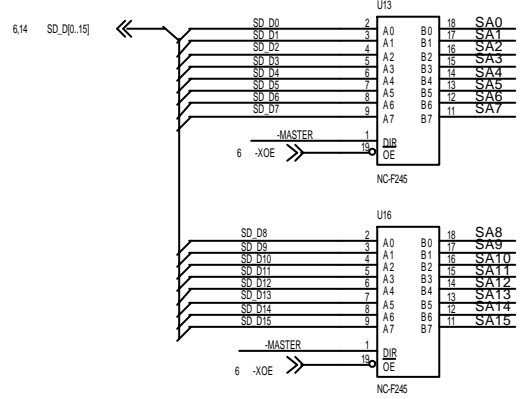
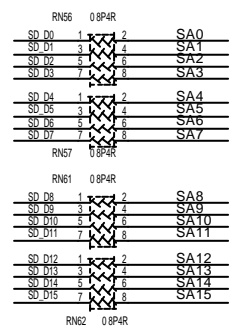
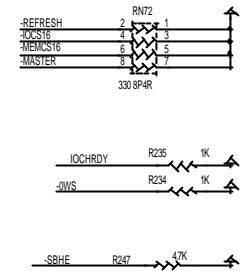
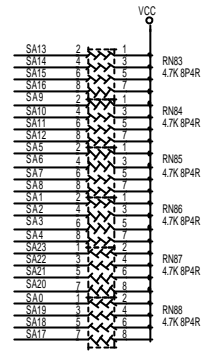
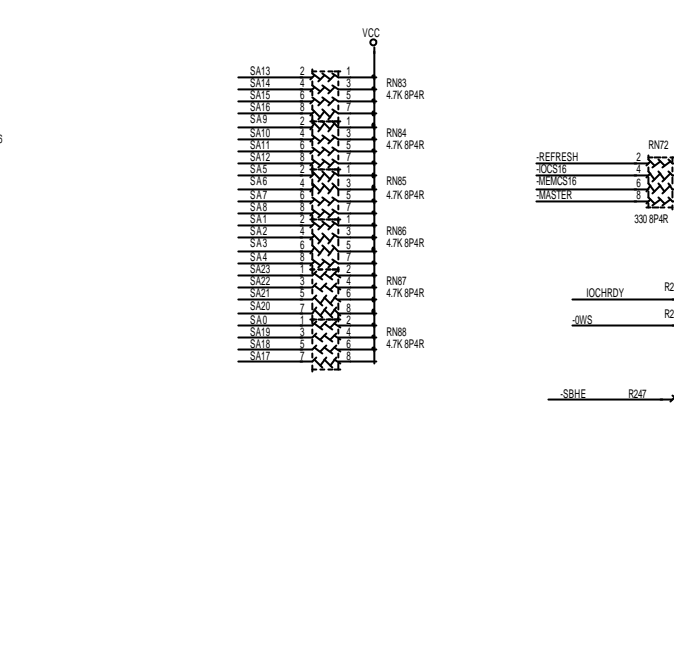
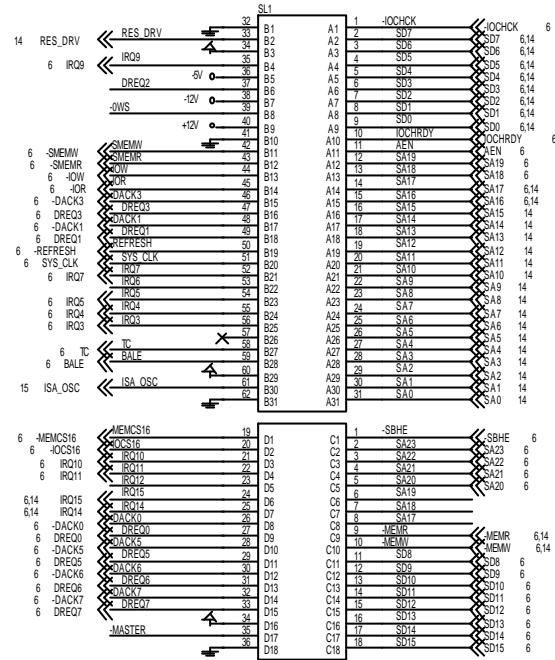
AD : 22
D, A, B, C



GET WAY INFORMATION		
06	PCI SLOT	
Size B	Document Number J-695AS	Rev 0.1
Date: Monday, December 11, 2000	Sheet 11	of 22

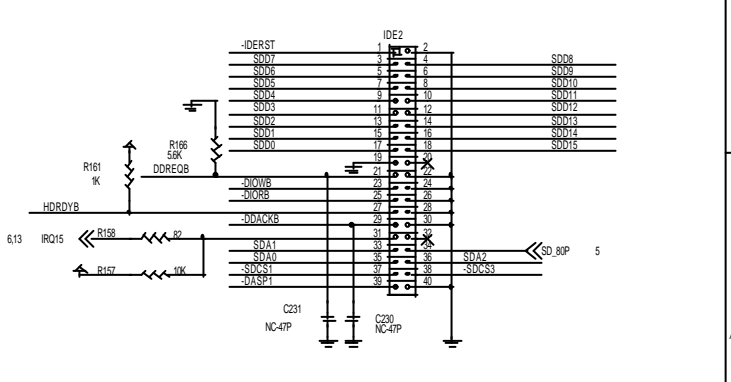
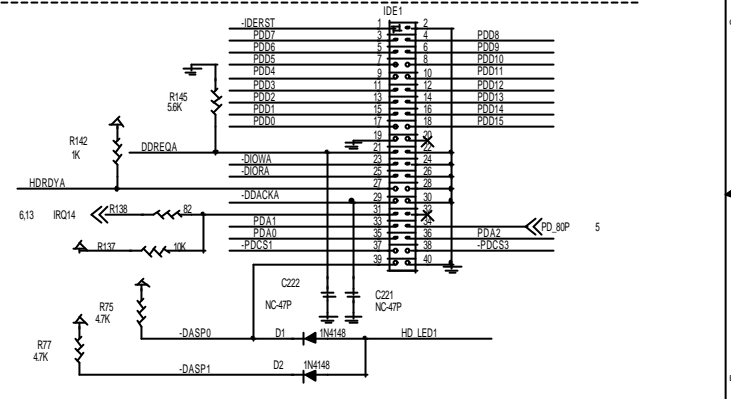
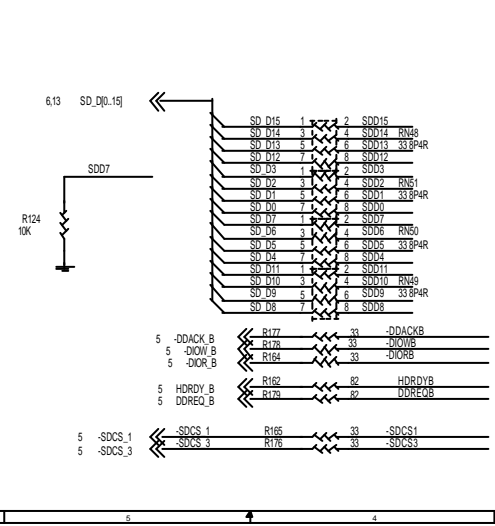
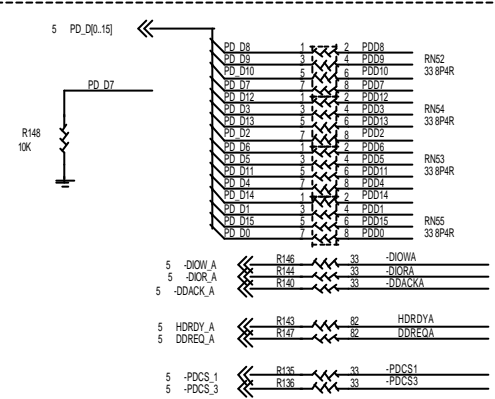
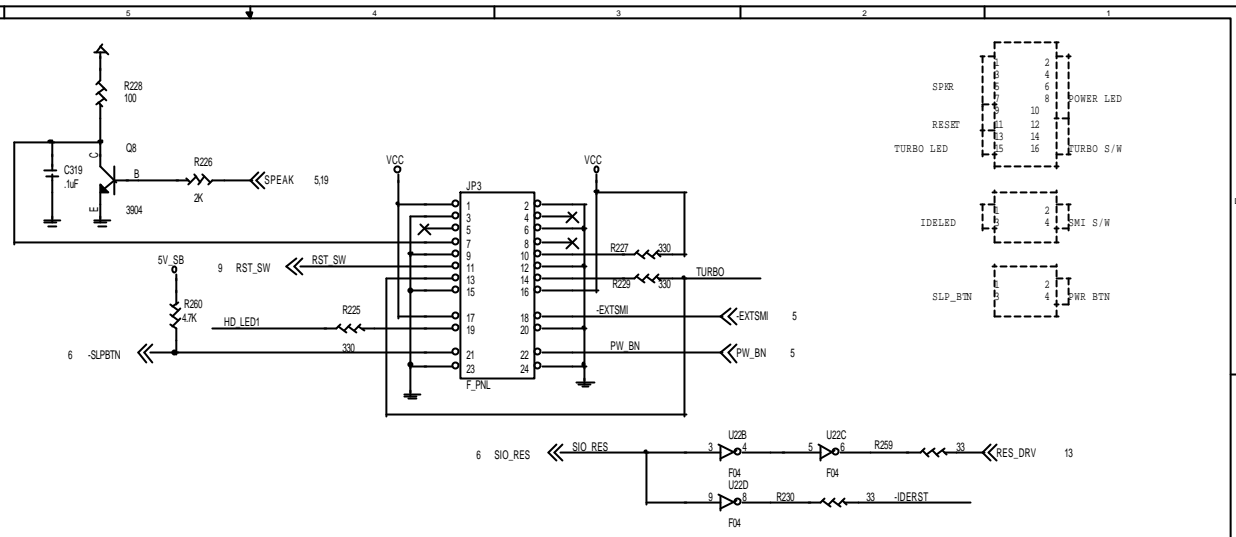
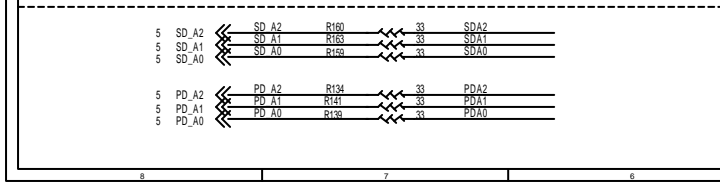
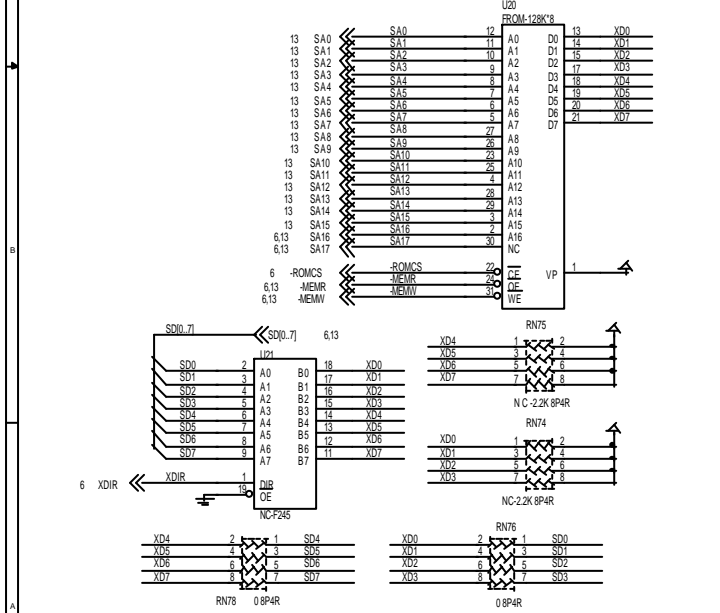
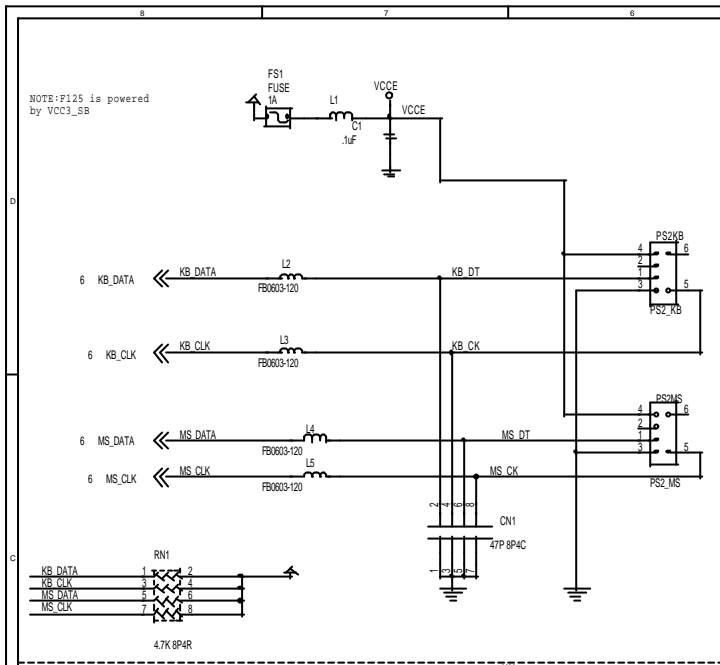


KEYWAY INFORMATION		
06	AGP SLOT	
Size B	Document Number J-695AS	Rev 0.1
Date: Monday, December 11, 2000	Sheet 12	of 22

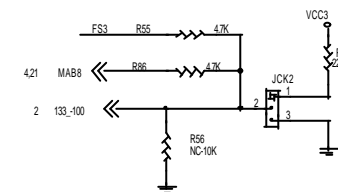
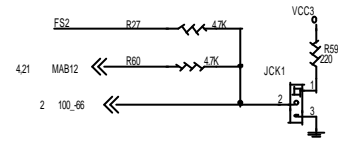
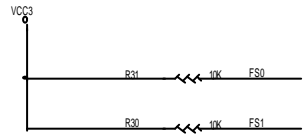
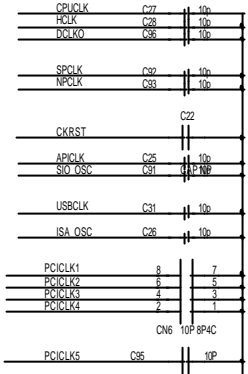
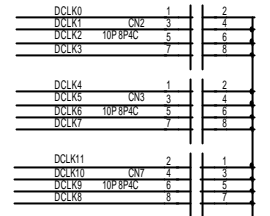
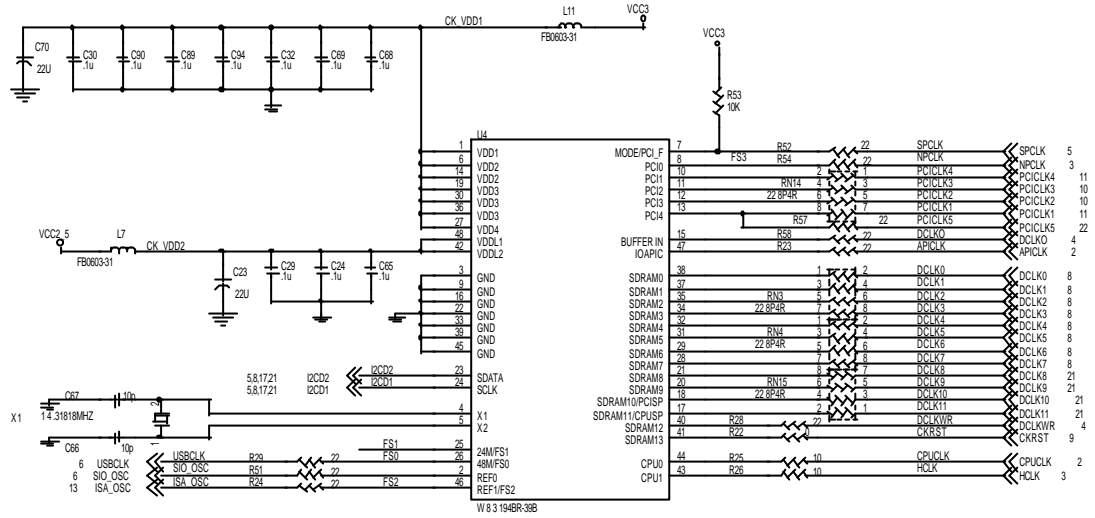


GET WAY INFORMATION		
Model	ISA SLOT	
Size	Document Number	Rev
B	J-695AS	0.1
Date:	Monday, December 11, 2000	Sheet 13 of 22

NOTE: F125 is powered by VCC3_SB



GET WAY INFORMATION		
06	PERIPHERAL	
Size B	Document Number J-695AS	Rev 0.1
Date: Monday, December 11, 2000	Sheet 14	of 22

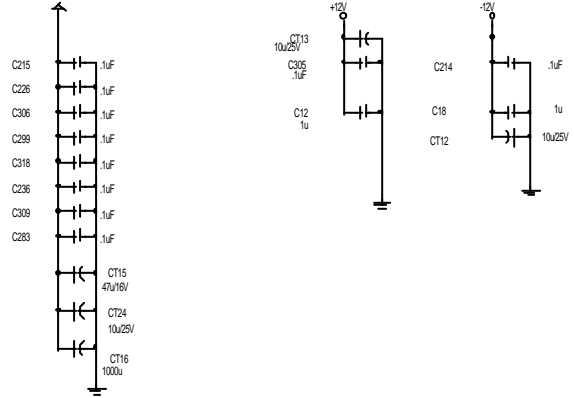
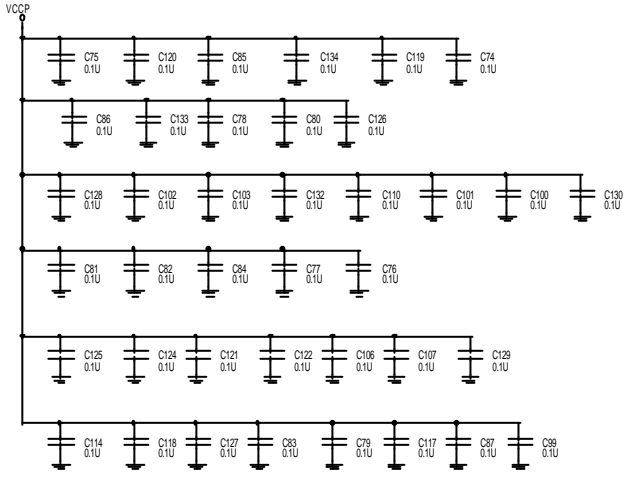
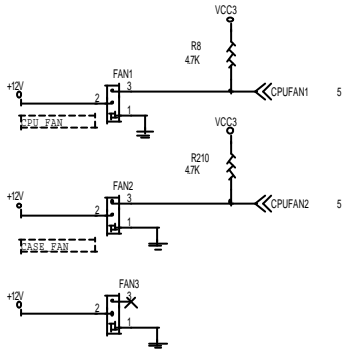
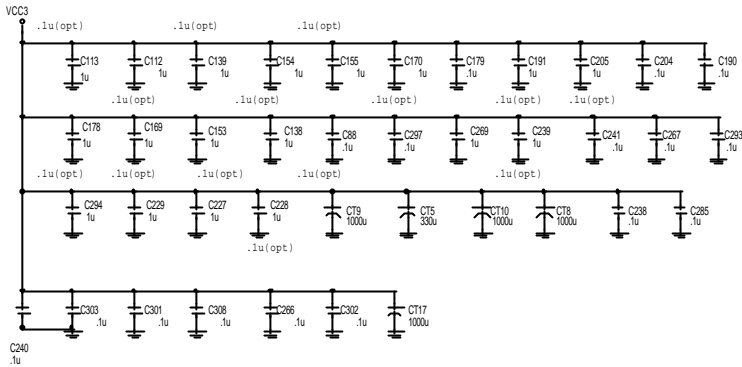
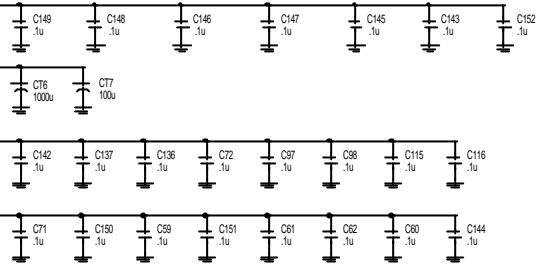
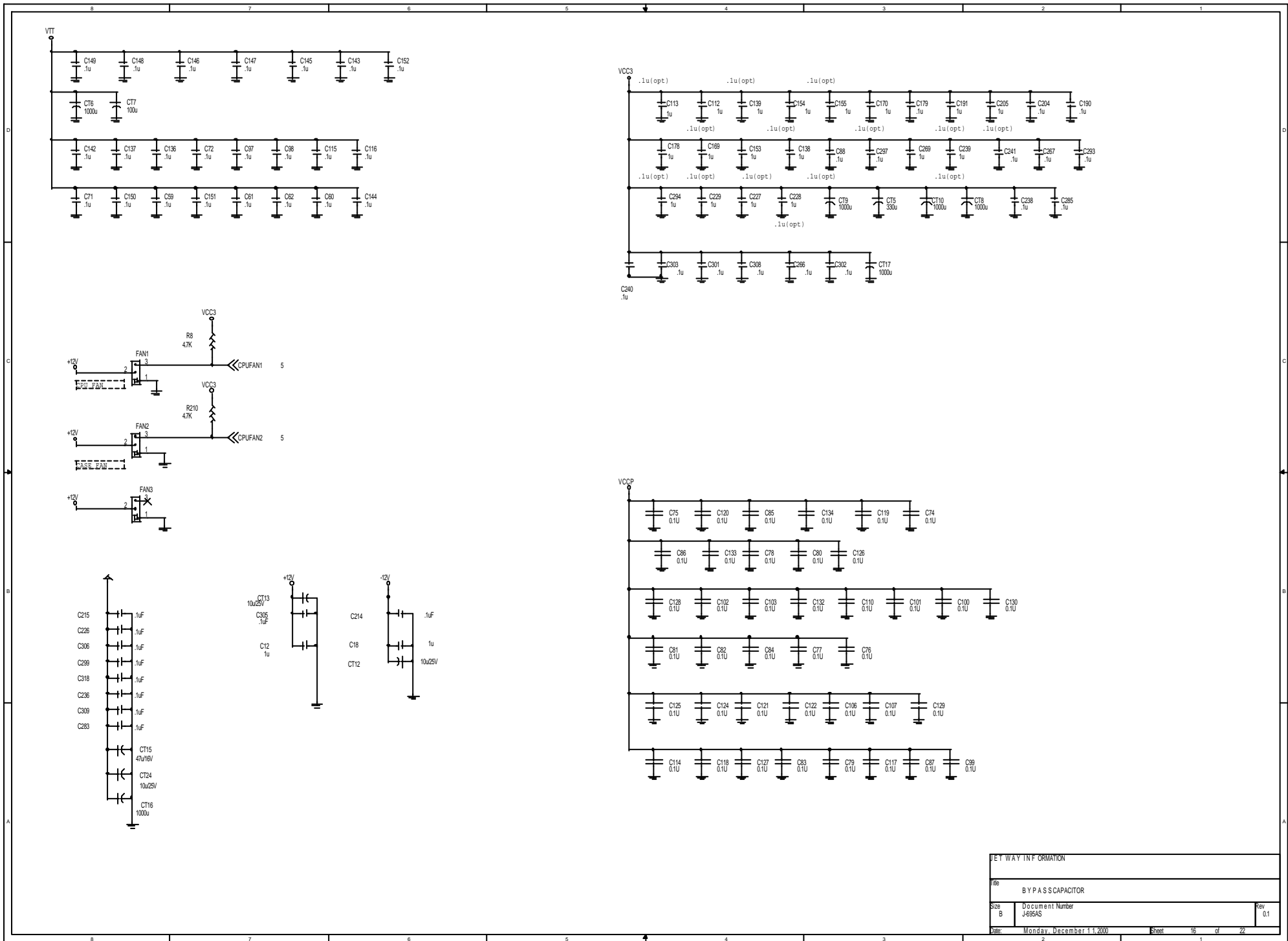


JCK2	JCK1	Bus Frequency
2-3	2-3	66 MHz
2-3	1-2	100 MHz
1-2	1-2	133 MHz

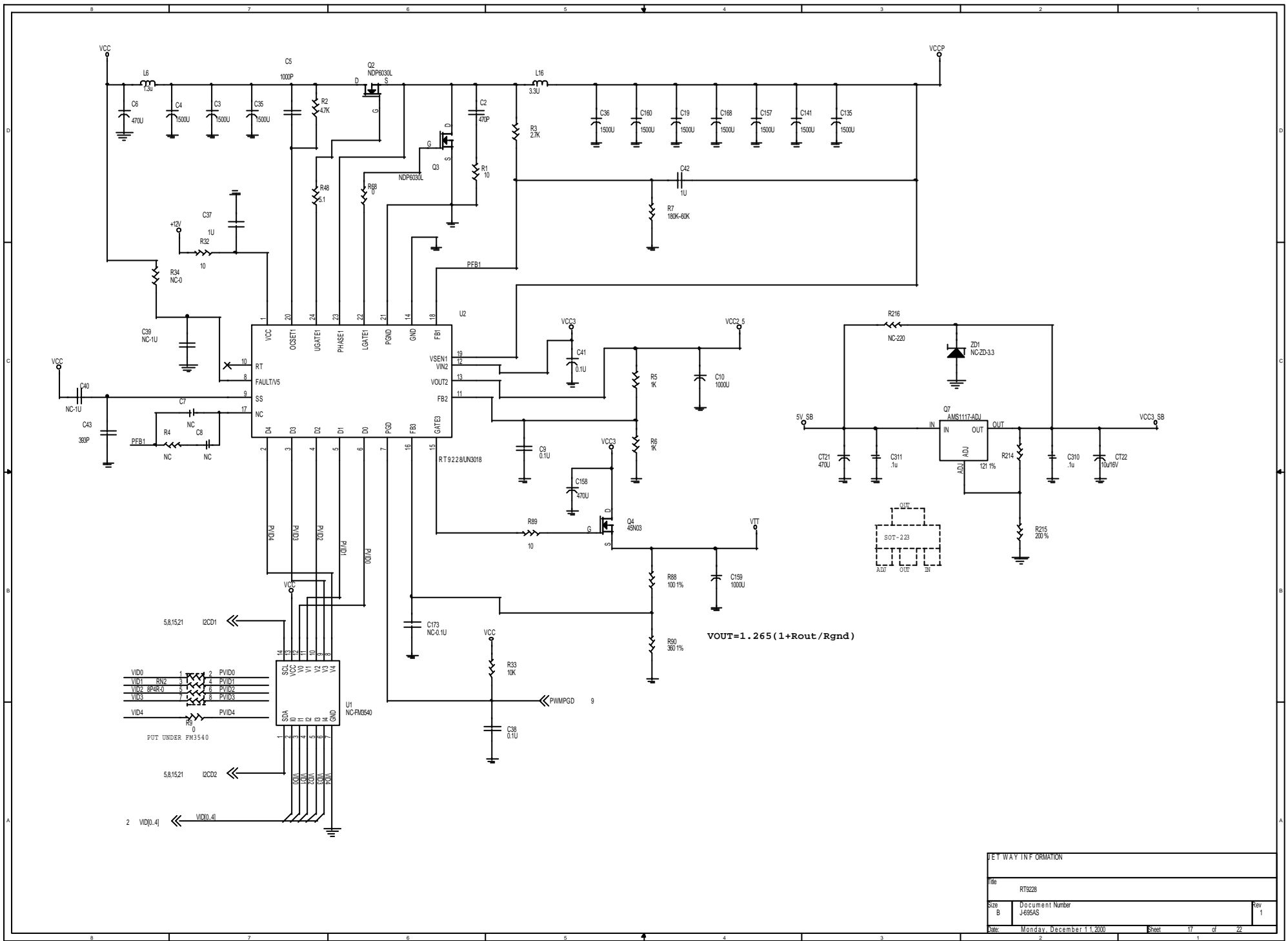
	FS0	FS1	FS2	FS3
66 MHz	1	1	0	0
100 MHz	1	1	1	0
133 MHz	1	1	1	1

*: For Cyrix CPU, the BSEL0 and BSEL1 are input pins.

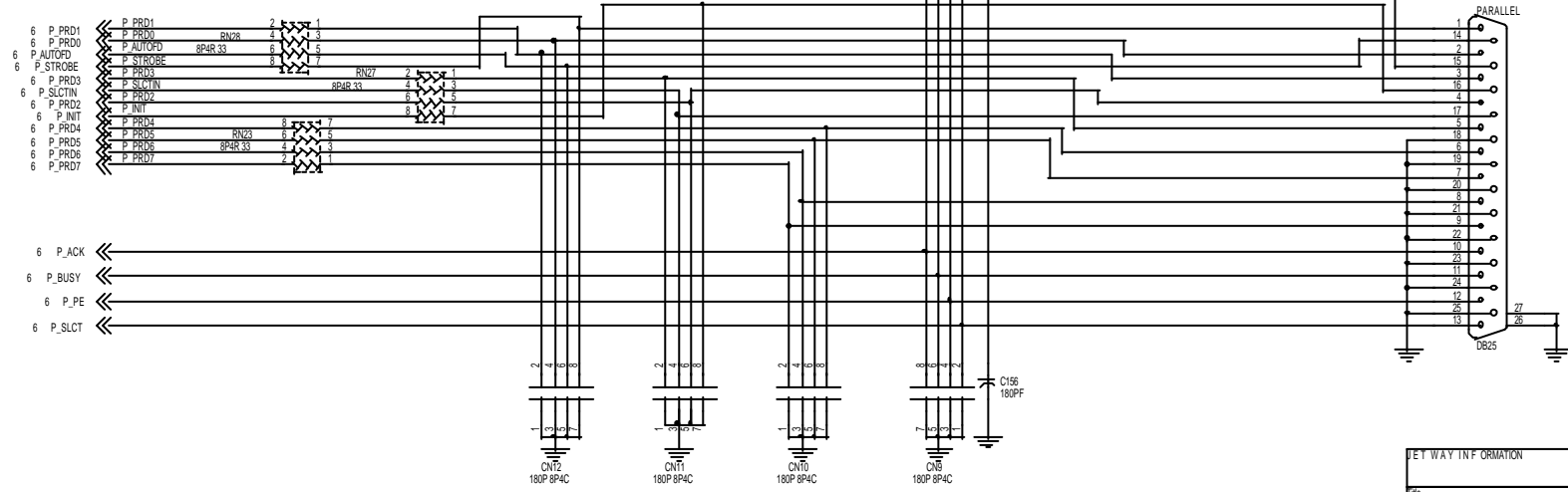
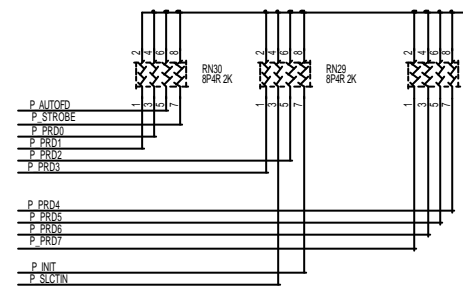
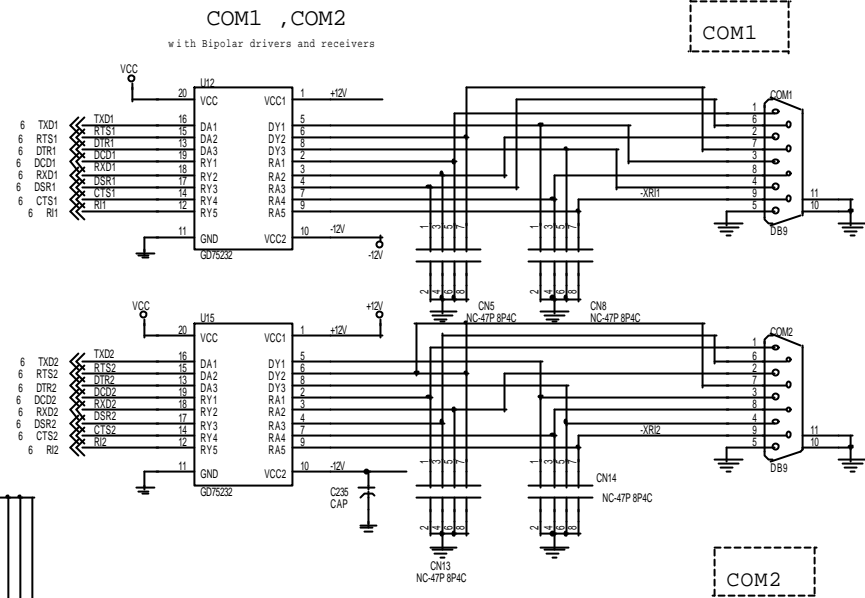
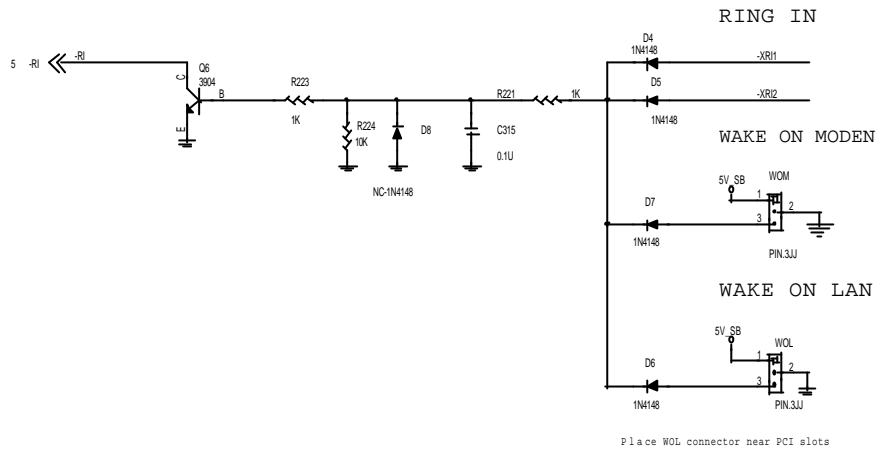
GET WAY INFORMATION		
#66	CLOCK SYNTHESIZER	
Size B	Document Number J-695AS	Rev 0.1
Date: Monday, December 11, 2000	Sheet 15	of 22



BYPASS CAPACITOR		
Size B	Document Number J-695AS	Rev 0.1
Date: Monday, December 11, 2000	Sheet 16	of 22



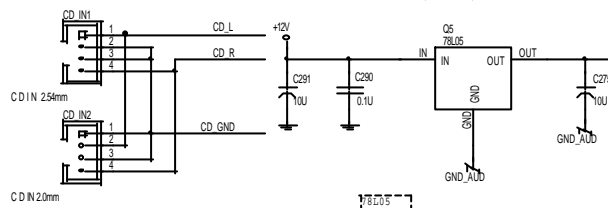
KEYWAY INFORMATION			
File	RT9228		
Size	Document Number	Rev	
B	J-6954S	1	
Date:	Monday, December 11, 2000	Sheet	17 of 22



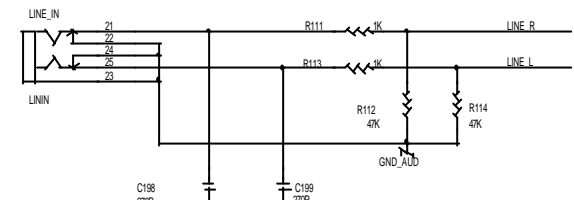
KEYWAY INFORMATION

106	PRINTER / COMPORT	
Size	Document Number	Rev
	J-6954S	0.1
Date:	Monday, December 11, 2000	Sheet 18 of 22

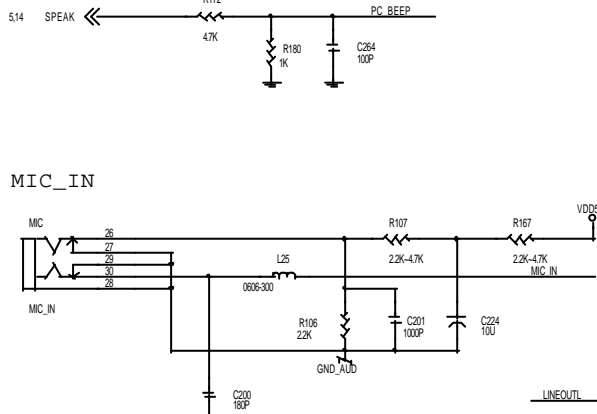
CD_IN



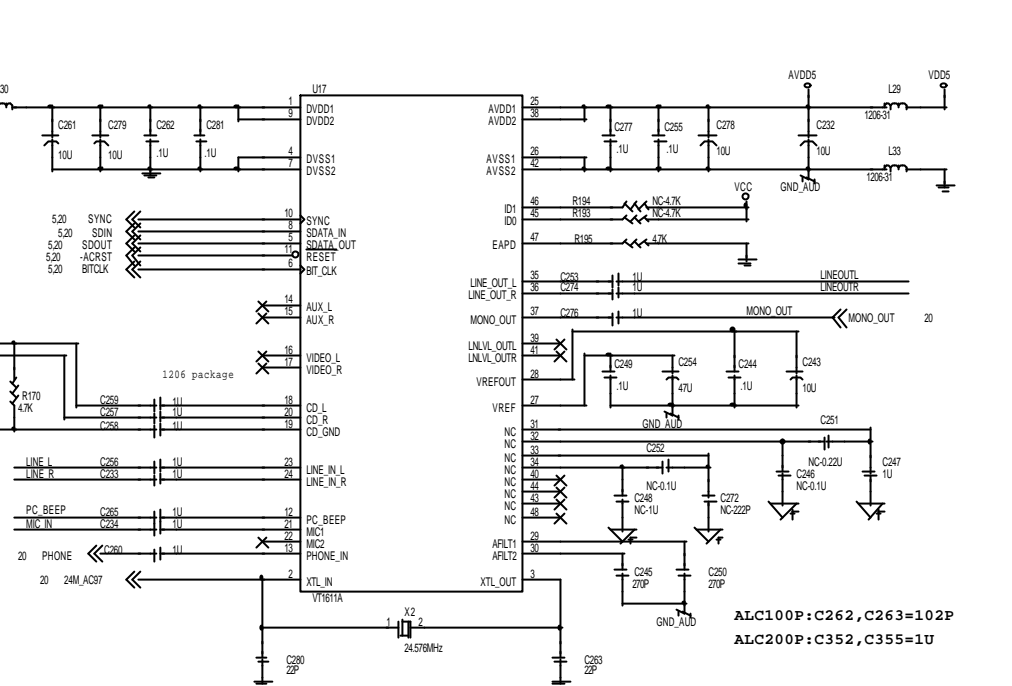
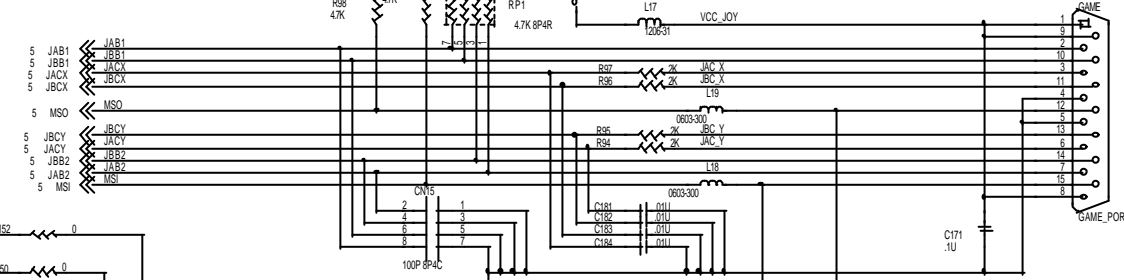
LINE_IN



MIC_IN

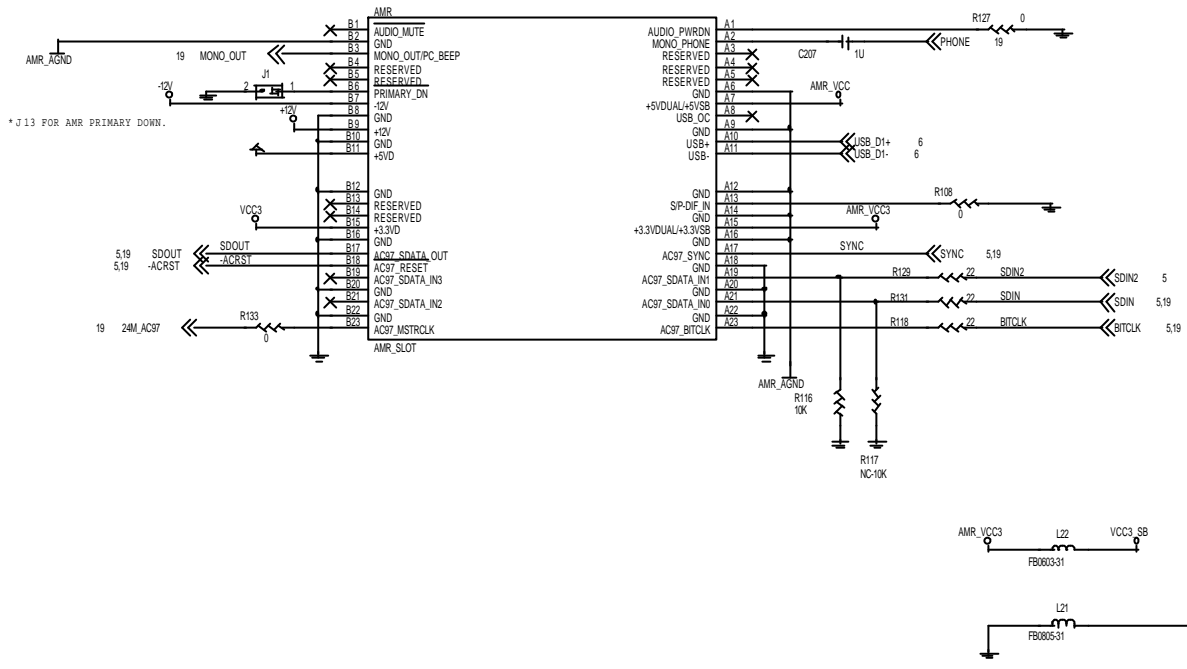


GAME PORT



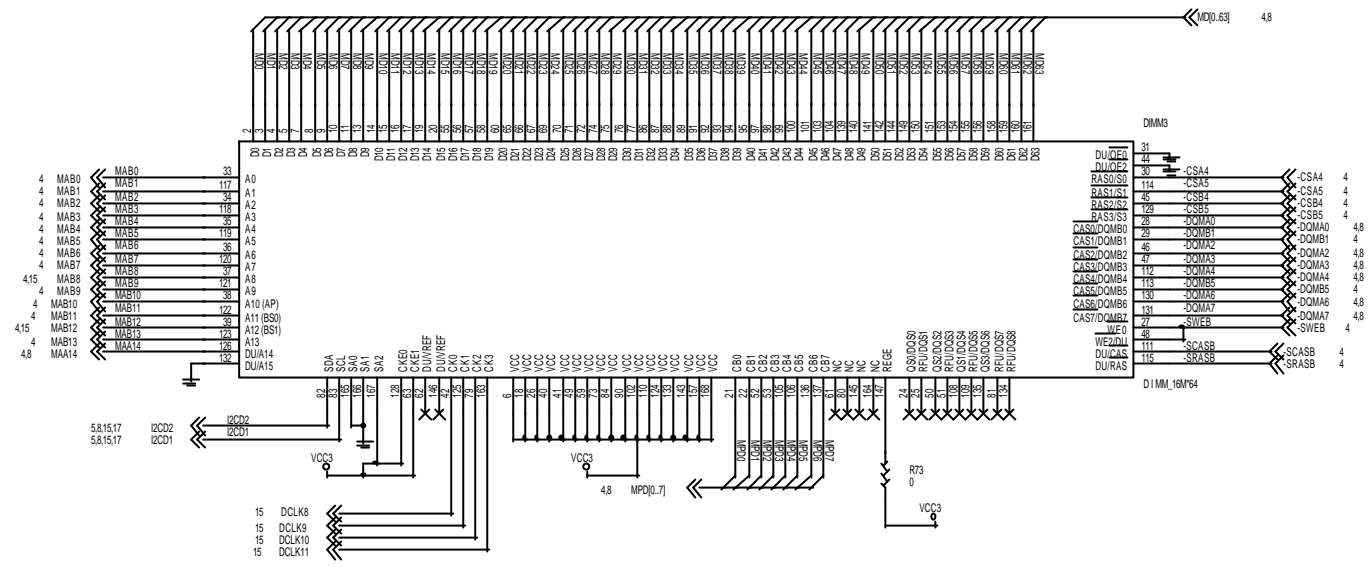
ALC100P:C262,C263=102P
ALC200P:C352,C355=1U

GET WAY INFORMATION		
06	AC'97 CODEC & AUDIO /GAME PORT	
Size B	Document Number J-695AS	Rev 0.1
Date: Monday, December 11, 2000	Sheet 19	of 22

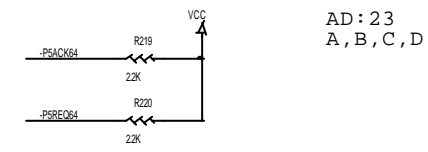
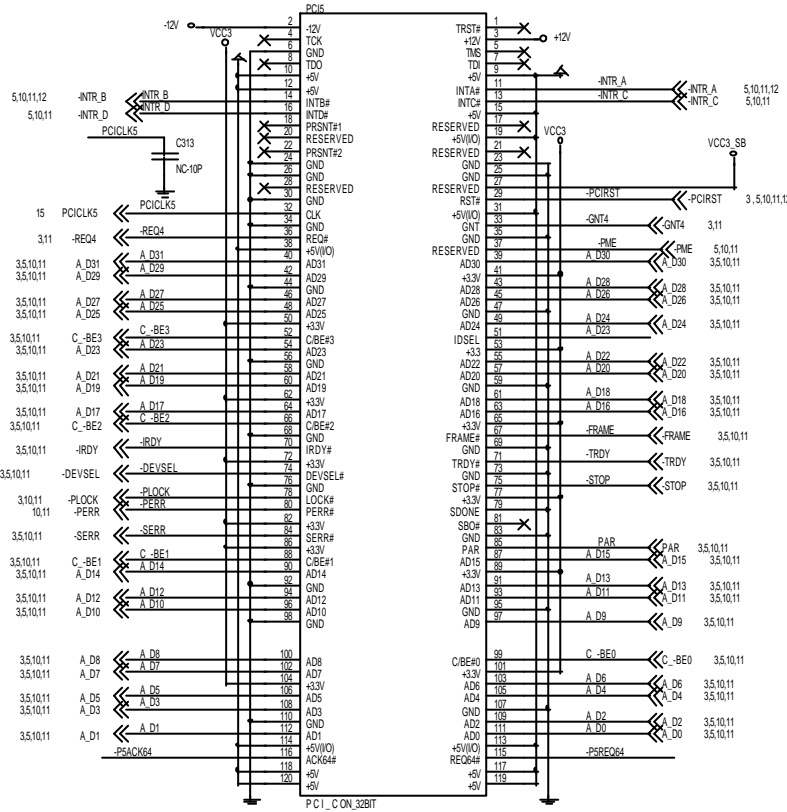


* J13 FOR AMR PRIMARY DOWN.

GET WAY INFORMATION			
Doc	ARM SLOT		
Size	Document Number	Rev	
B	J-695AS	0.1	
Date:	Monday, December 11, 2000	Sheet	20 of 22



GET WAY INFORMATION			
#66	SDRAM		
Size	Document Number		Rev
Custom	J465AS		0.1
Date:	Monday, December 11, 2000	Sheet	21 of 22



JET WAY INFORMATION			
Doc	PCISLOT5		
Size	Document Number	J695AS	Rev
Custom			0.1
Date:	Monday, December 11, 2000	Sheet	22 of 22